

Bouwinstructies

Gebruikte I.C.'s :

SN 76477
LM 317
7805
556
7493
7493
CA 3140
LF 353
LM 380

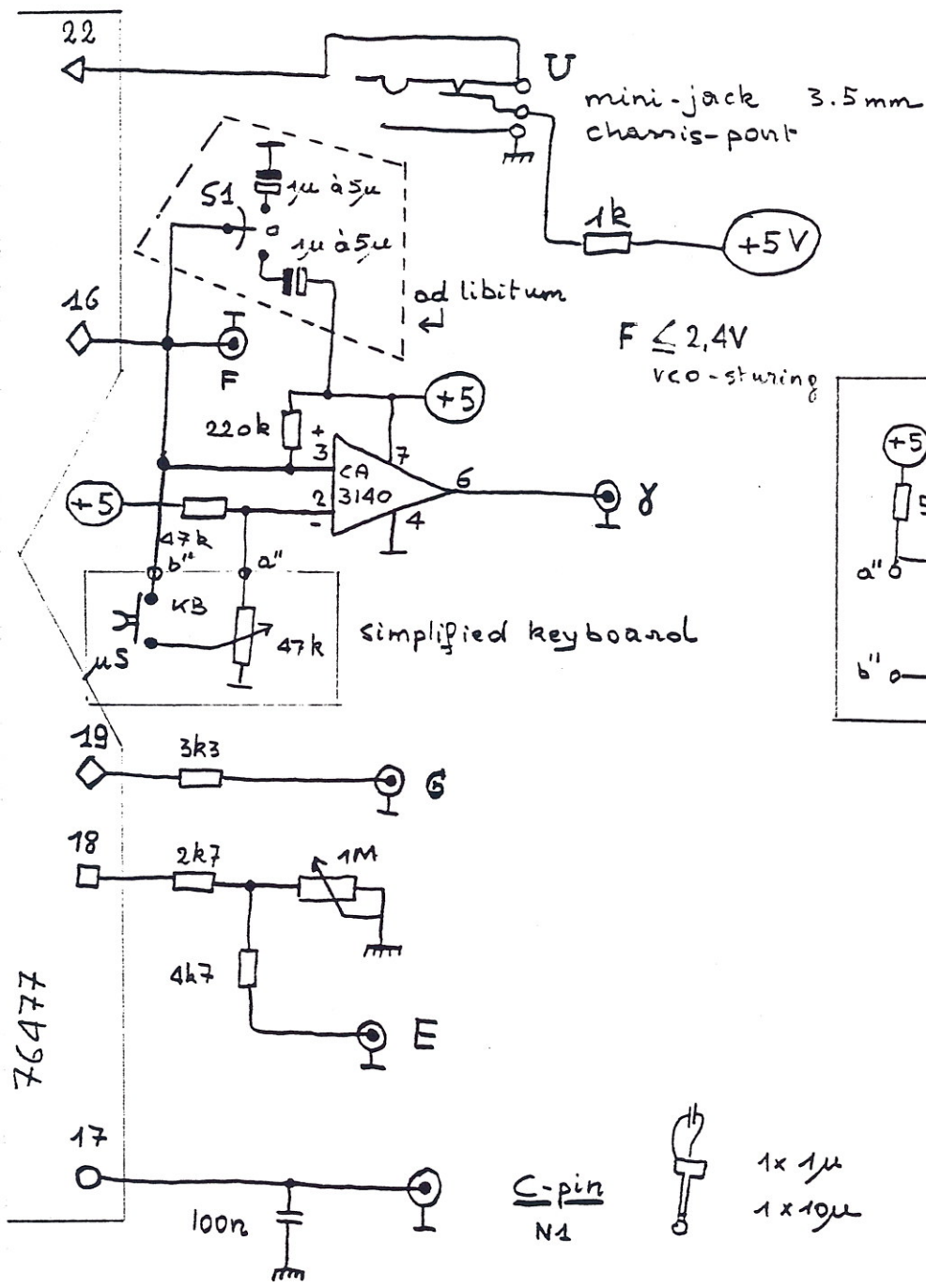
Diodes :

5 stuks 1N4007

Potmeters:

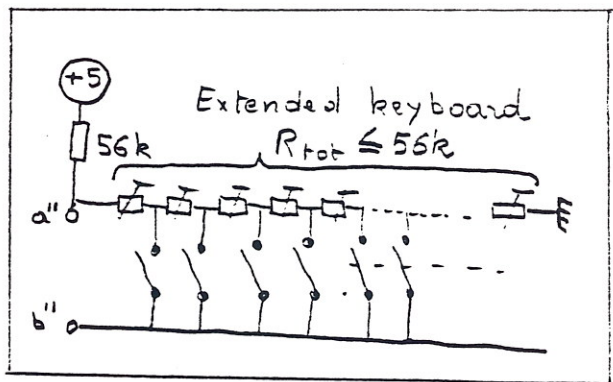
1 M ohm	vco log.
1 M ohm	lfo log.
470 k ohm	filt.log.
47 k ohm	volume , log.
47 k ohm	vco-preset KB. log
4,7k ohm	trimpot voeding
220kohm	attack log.
1 M ohm	decay log
470 k ohm	hold log
1 M ohm	clock log.
1 M ohm	clock 2 log.
4x 470kohm	sequencer 1 , log.
4x 470kohm	sequencer 2 , log.
ad. lib.:	
100ohm	reverb send
10 k	reverb return , log.

VCO

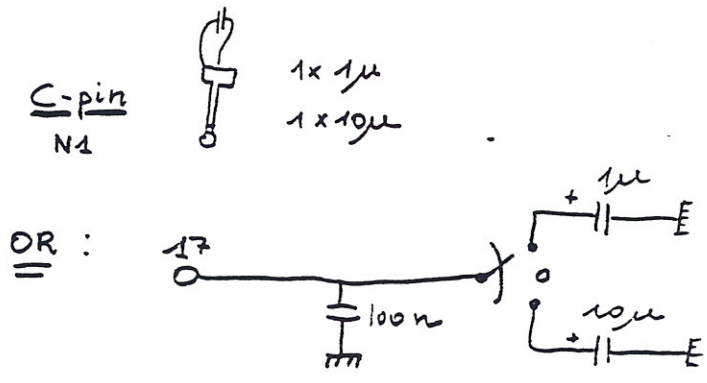


ZONDER PIN: logisch 1
 MET PIN: logisch 0
 MET PIN & DRAAD: Extern

$F \leq 2,4V$
 vco-sturing



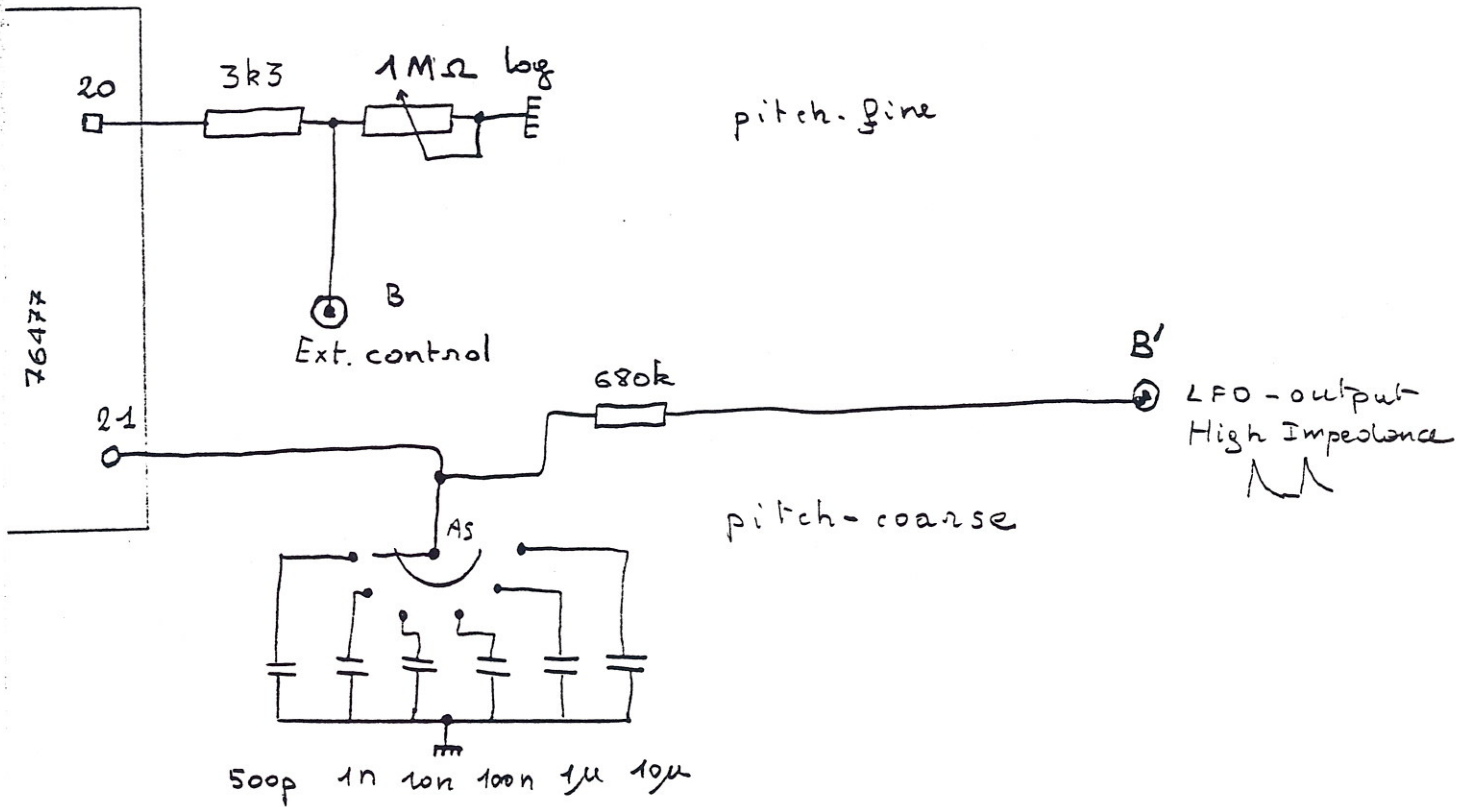
76477



STICHTING LOGOS
 Instelling van openbaar nut
 Kongostraat 35
 B-9000 Gent
 tel. 091-23.80.89

82.96
 RAES
 OP 22

LFO

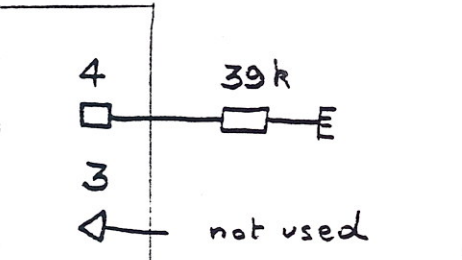


STICHTING LOGOS
 Instelling van apparatuur
 Kongsstraat 50
 B-9000 Gent
 tel. 091-23.80.89

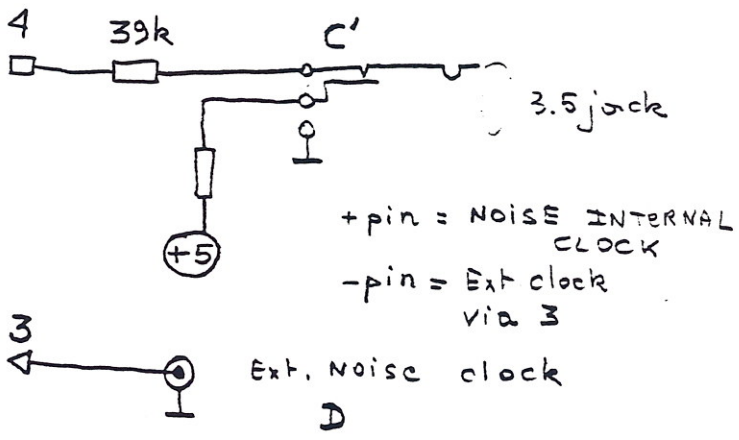
22.96



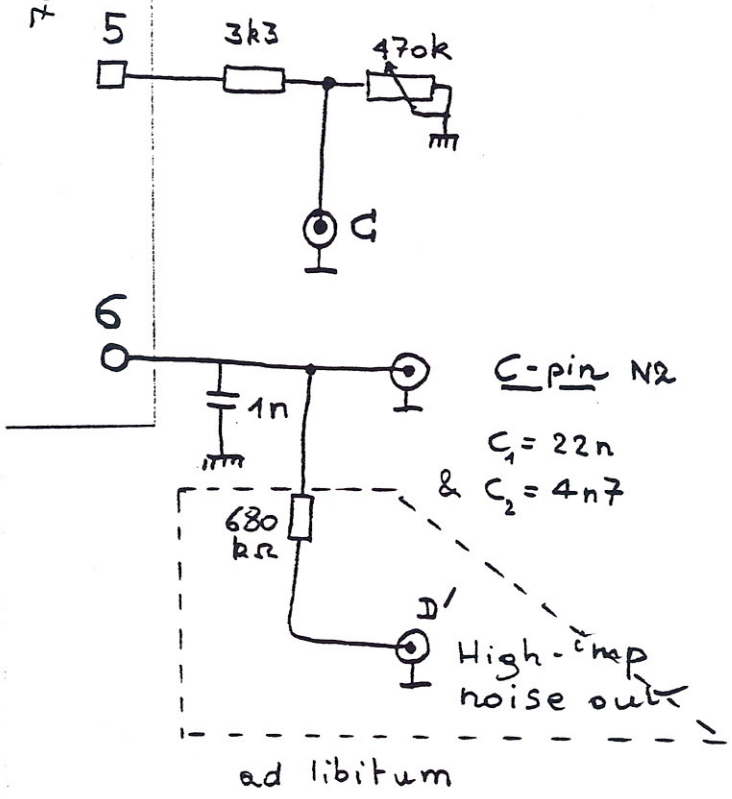
NOISE & FILTER



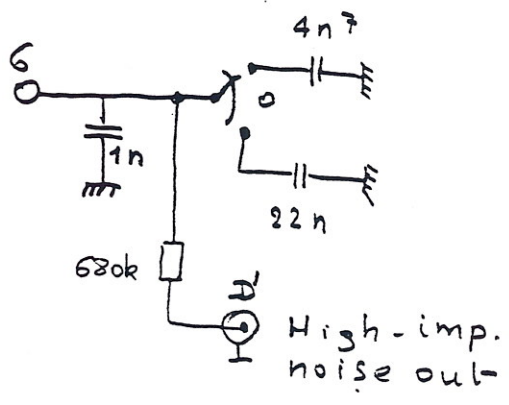
OR



76477



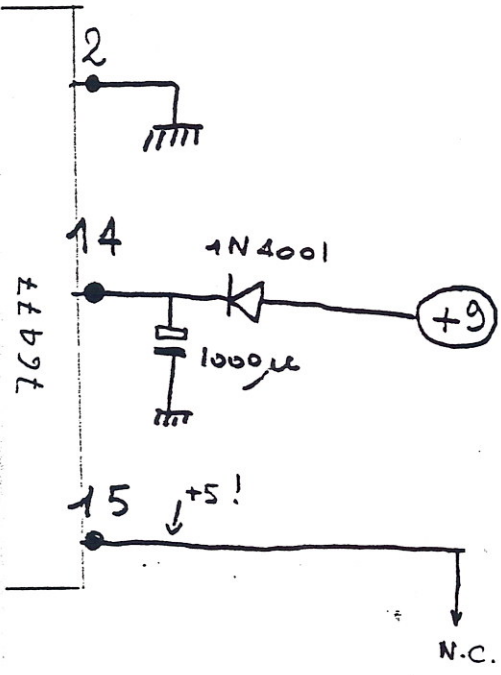
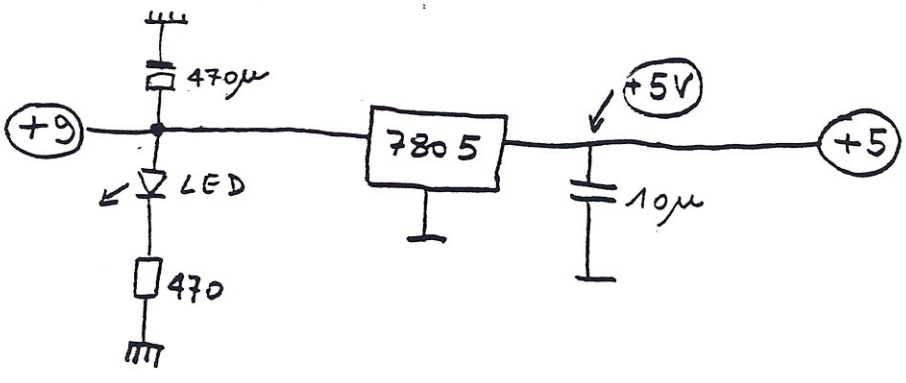
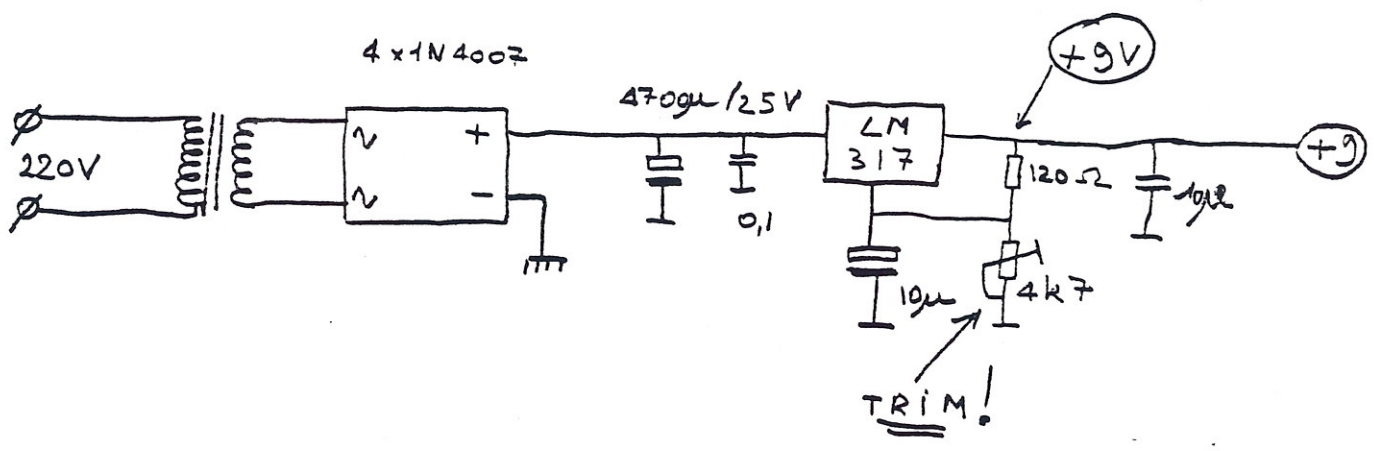
OR



STICHTING LOGOS
 Instelling van openbaar nut
 Kongostraat 35
 B-9000 Gent
 tel. 091-23.80.89

82.94
 RAES
 0232

POWER SUPPLY

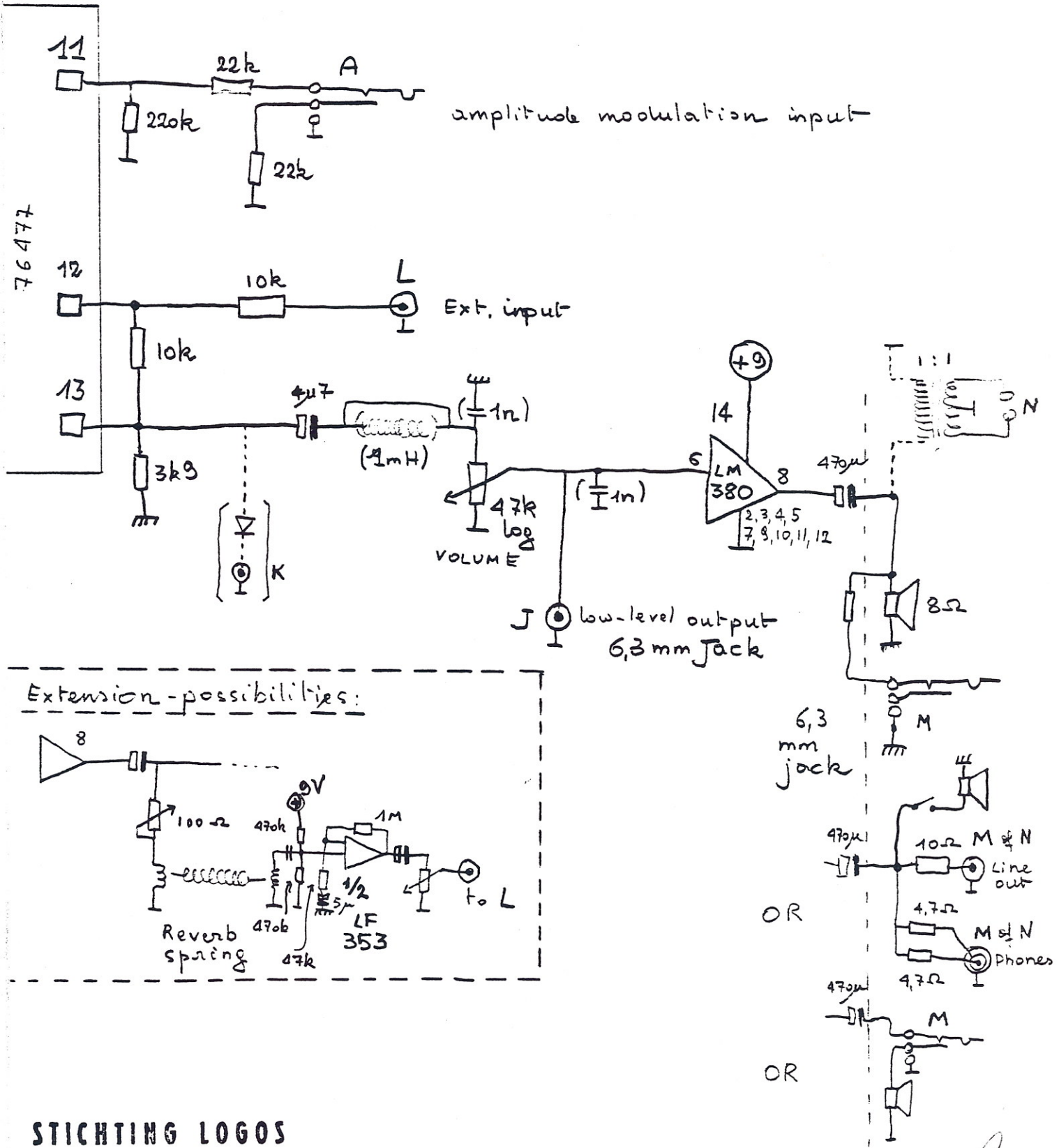


Control: +5V! internal power supply 76477.

STICHTING LOGOS
 instelling van openbare nut
 Kongestraat 30
 B-9000 Gent
 tel. 091-23.80.89



OUTPUT OP-AMP / VCA

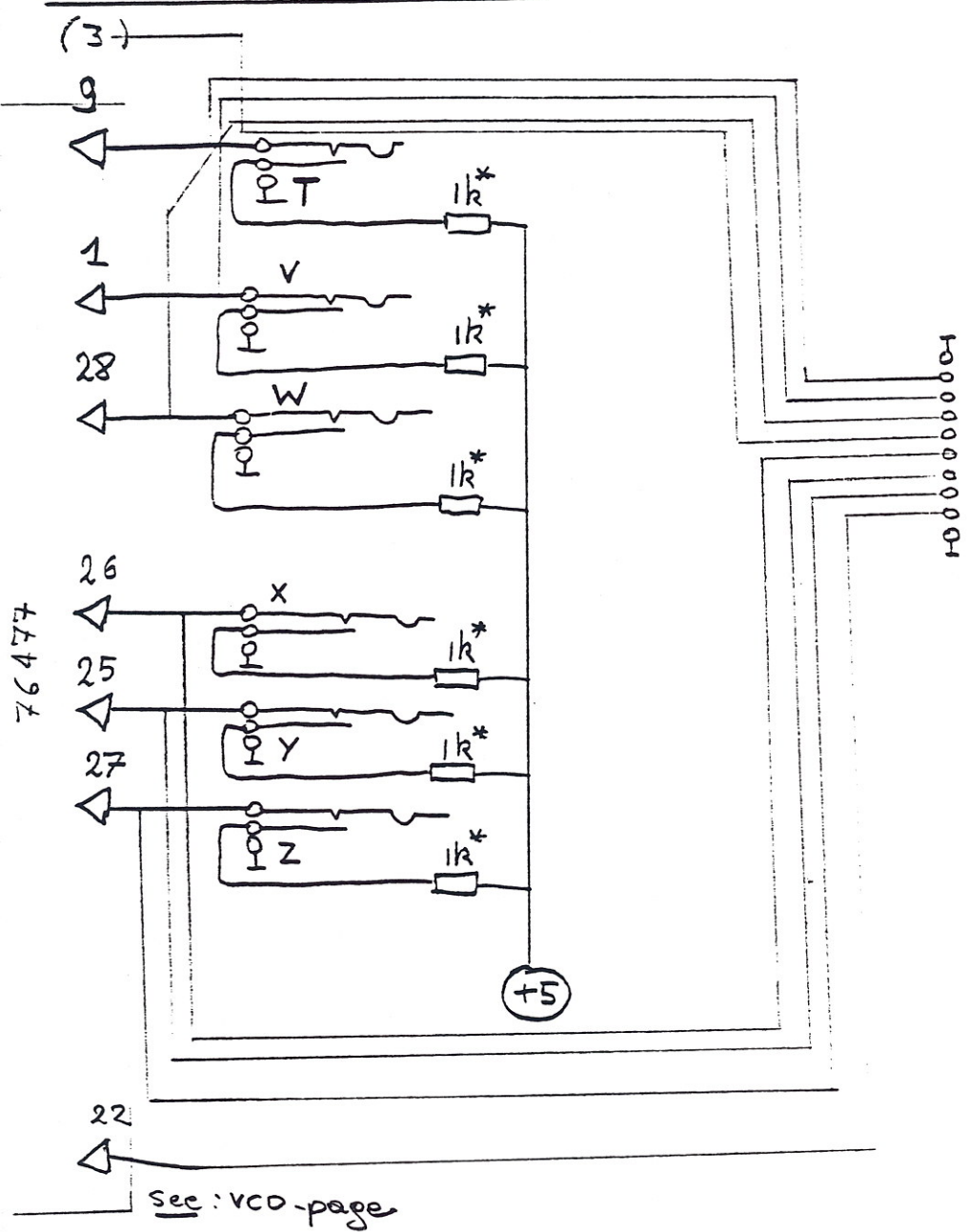


STICHTING LOGOS

instelling van openbaar nut
 Kongestreet 55
 B-9000 Gent
 tel. 091-23.80.89



LOGIC - CONTROL



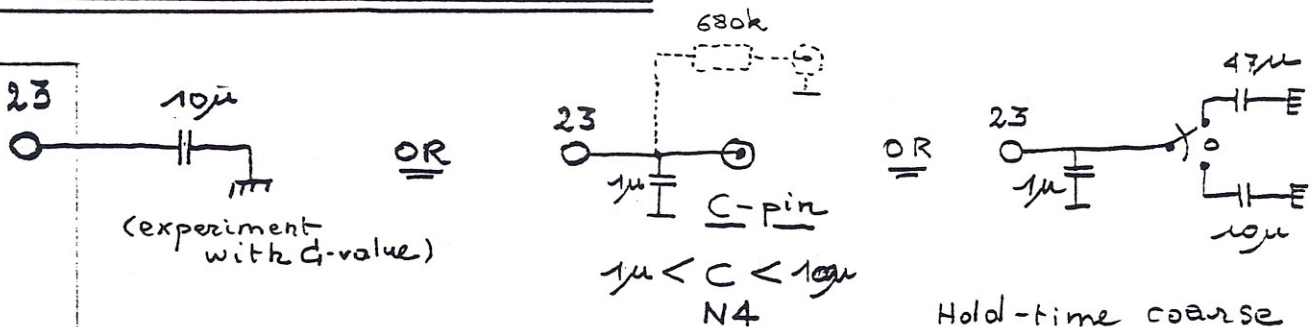
μ P-bus
 or RAM-memory
 read-write 3-state
 logic

* For μ P interfacing,
 higher values may
 be required.
 (OR) when μ P is used,
 plugs should be
 inserted in the
 sockets.

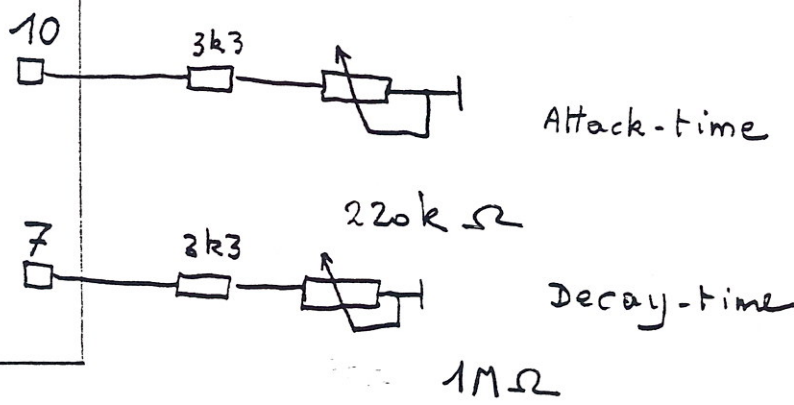
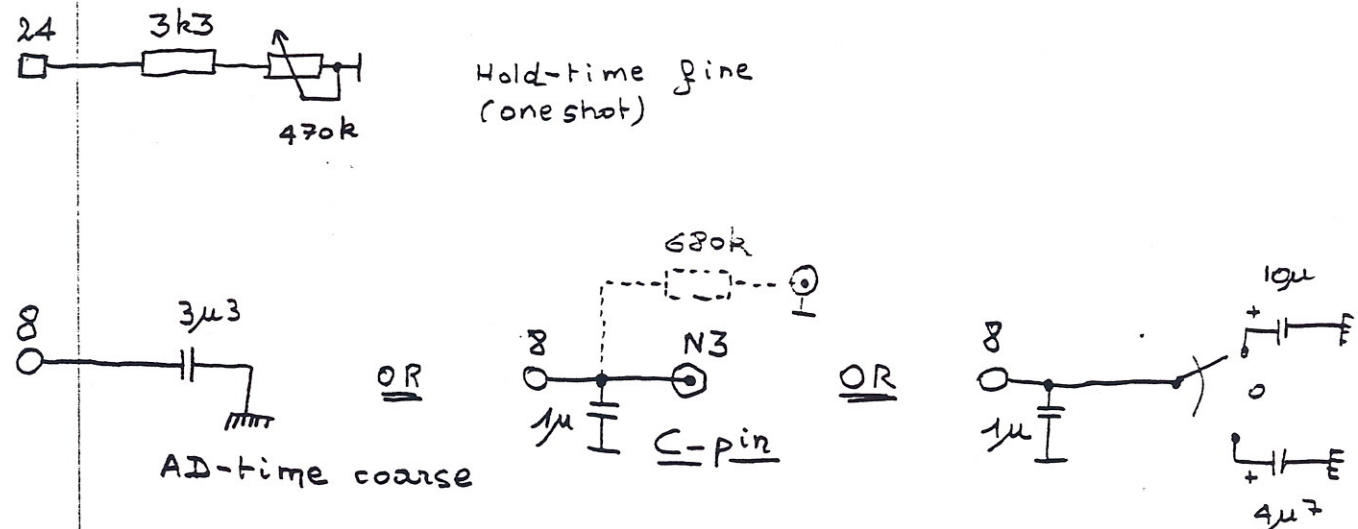
STICHTING LOGOS
 instelling van openbaar nut
 Kongostreet 10
 B-9000 Gent
 tel. 091-23.80.89

82.9
 RAES
 0282

ONE SHOT & ENVELOPE



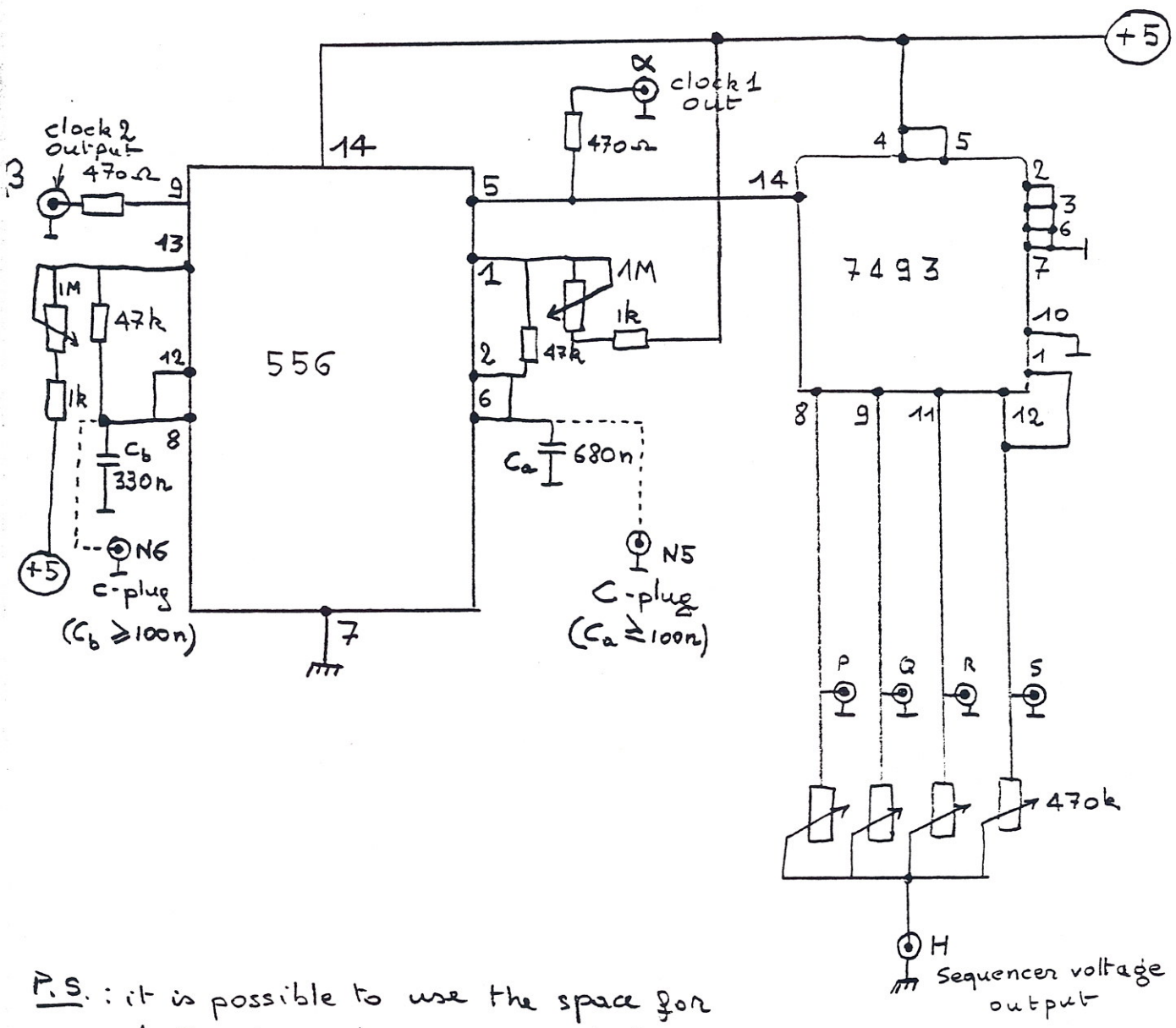
76477



STICHTING LOGOS
 instelling van openbaar nut
 Kongestraat 35
 B-9000 Gent
 tel. 091-23.80.89



SEQUENCER



STICHTING LOGOS
 instelling van openbaar nut
 Kongostraat 30
 B-9000 Gent
 tel. 091-23.80.89



6 standen schakelaar

47k Ω log

1M Ω log

1M Ω log

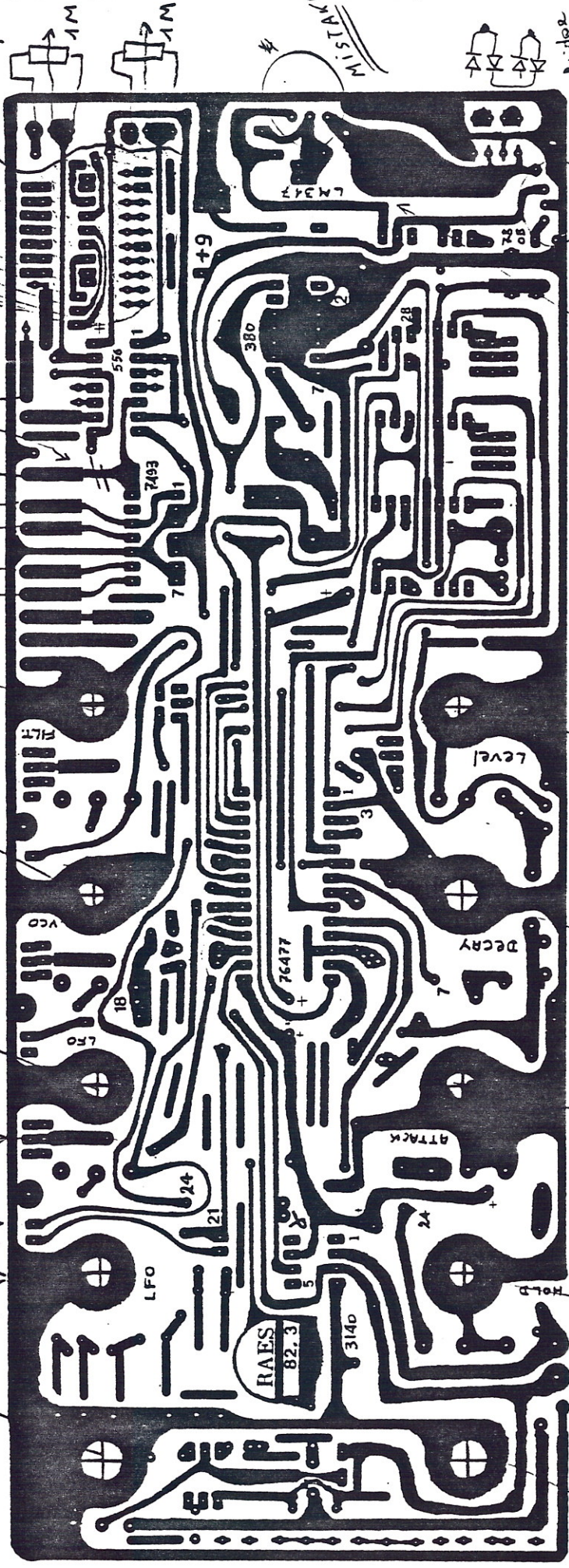
470k log

α

P Q R S

spoorabsorbtie

FREE I.C. SPACE



LFO-OUTPUT

B

G

VCO

LFO

21

24

18

7

7

7

556

49

1M

1M

RAES 82.3

3140

5

1

24

7

76477

1

3

1

7

7493

1

380

2

LM343

LM343

ATTACK

+

+

+

+

+

+

+

+

+

+

DECAY

+

+

+

+

+

+

+

+

+

+

Level

+

+

+

+

+

+

+

+

+

+

Hold

+

+

+

+

+

+

+

+

+

+

F

+

+

+

+

+

+

+

+

+

+

IC

7805

+

+

+

+

+

+

+

+

+

Toets

470k log

220k log

1M log

47k log

05.
SWITCHING

STICHTING LOGOS
 instelling van openbaar nut
 Kongostreet 35
 B-9000 Gent
 tel. 091-23.80.89



ONE SHOT TIME

$C = 10\mu$ $26\text{ms} < \Delta t < 3,7\text{s}$ potm: 470k

ATTACK TIME

$C = 3\mu$ $10\text{ms} < \Delta t < 0,66\text{s}$ potm: 220k

DECAY TIME

$C = 3\mu$ $10\text{ms} < \Delta t < 3,3\text{s}$ potm: 1M

LFO

Range 1	500pF
2	1n
3	10n
4	100n
5	1μ
6	10μ

370kHz	> f >	1280 Hz
193kHz	> f >	640 Hz
19,3 Hz	> f >	64 Hz
1,93 Hz	> f >	6,4 Hz
193 Hz	> f >	0,64 Hz
19,3 Hz	> f >	0,064 Hz

potm: 1M

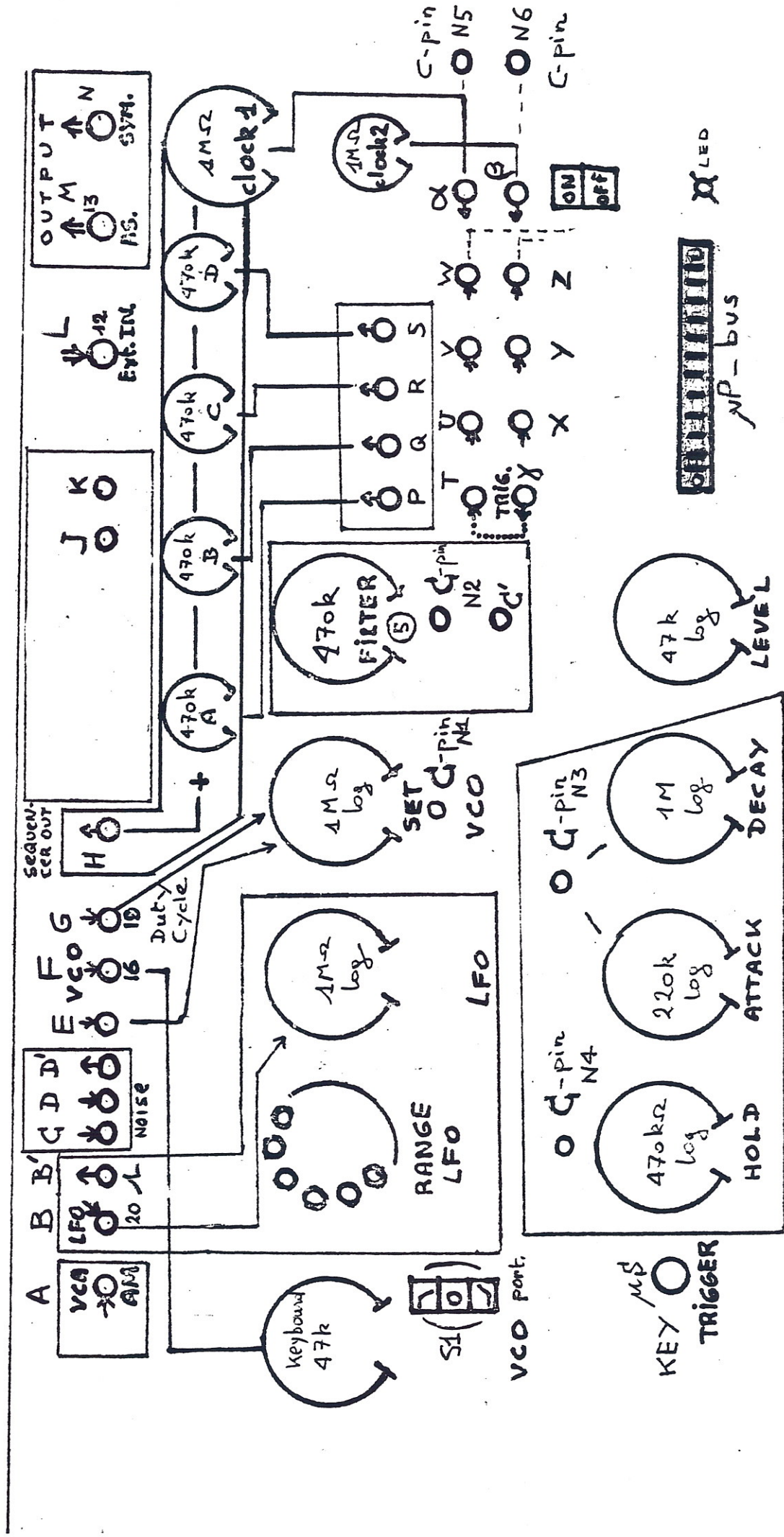
VCO - minimum frekwentie

Range 1	1n	237kHz	> f >	640 Hz
Range 2	10n	23,7kHz	> f >	64 Hz
Range 3	100n	2370 Hz	> f >	6,4 Hz

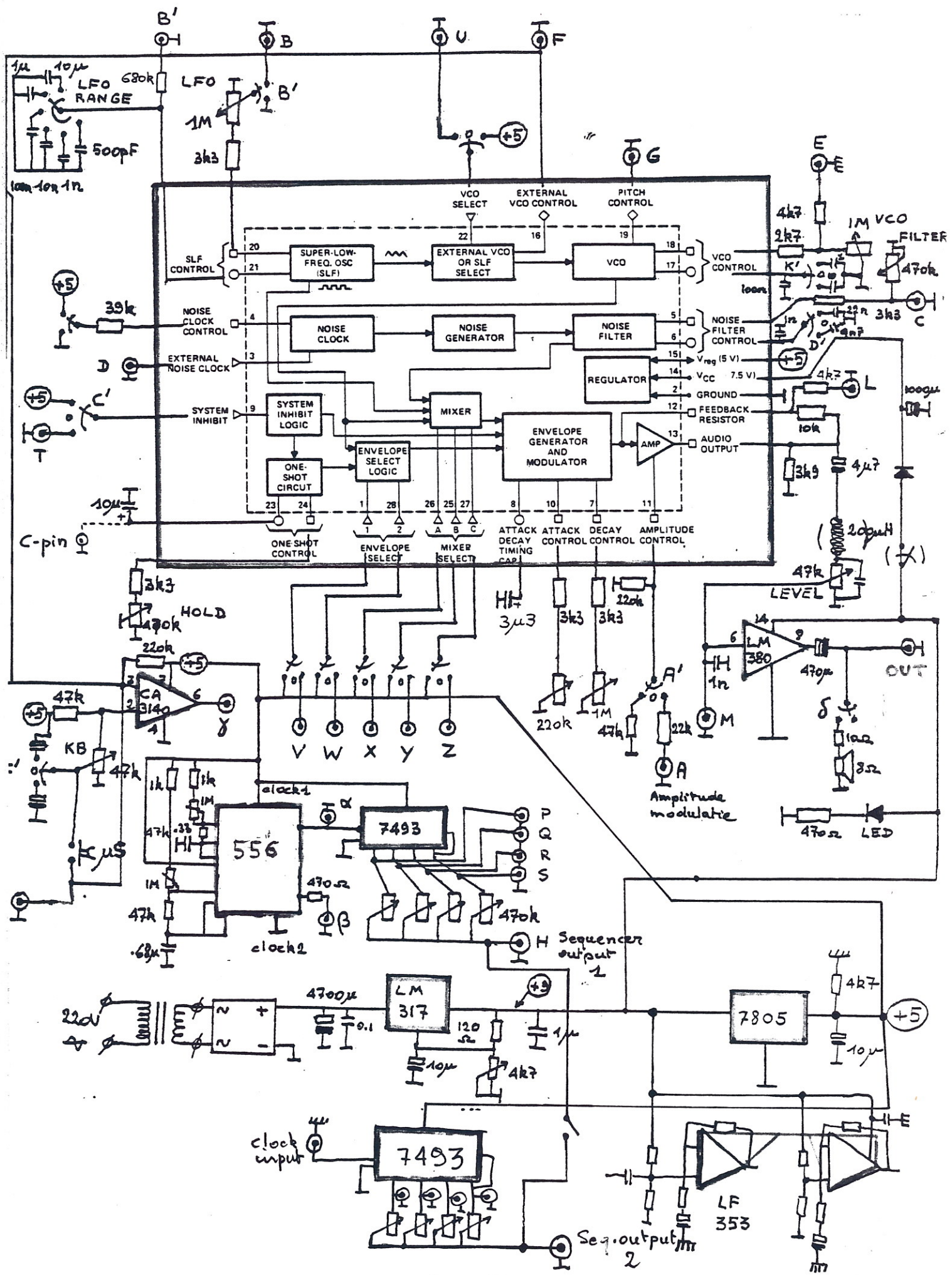
potm: 1M

V.C. range ratio: 1:10

SYNTHELOG III

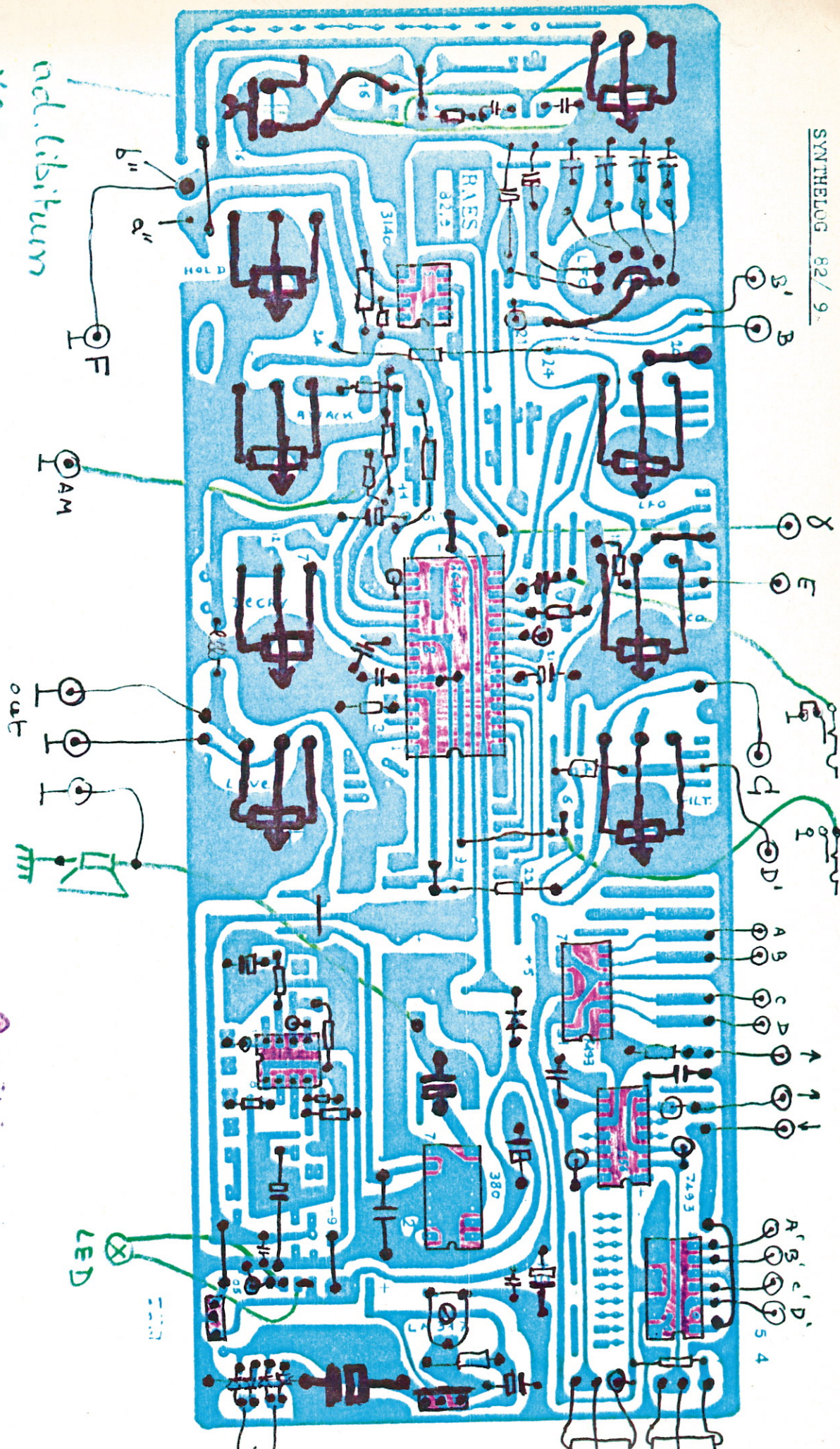


godfried-willem raas
music for computers



VC0
ponhato
SA

incl. libitum



© 1982 Synthesizer Systems