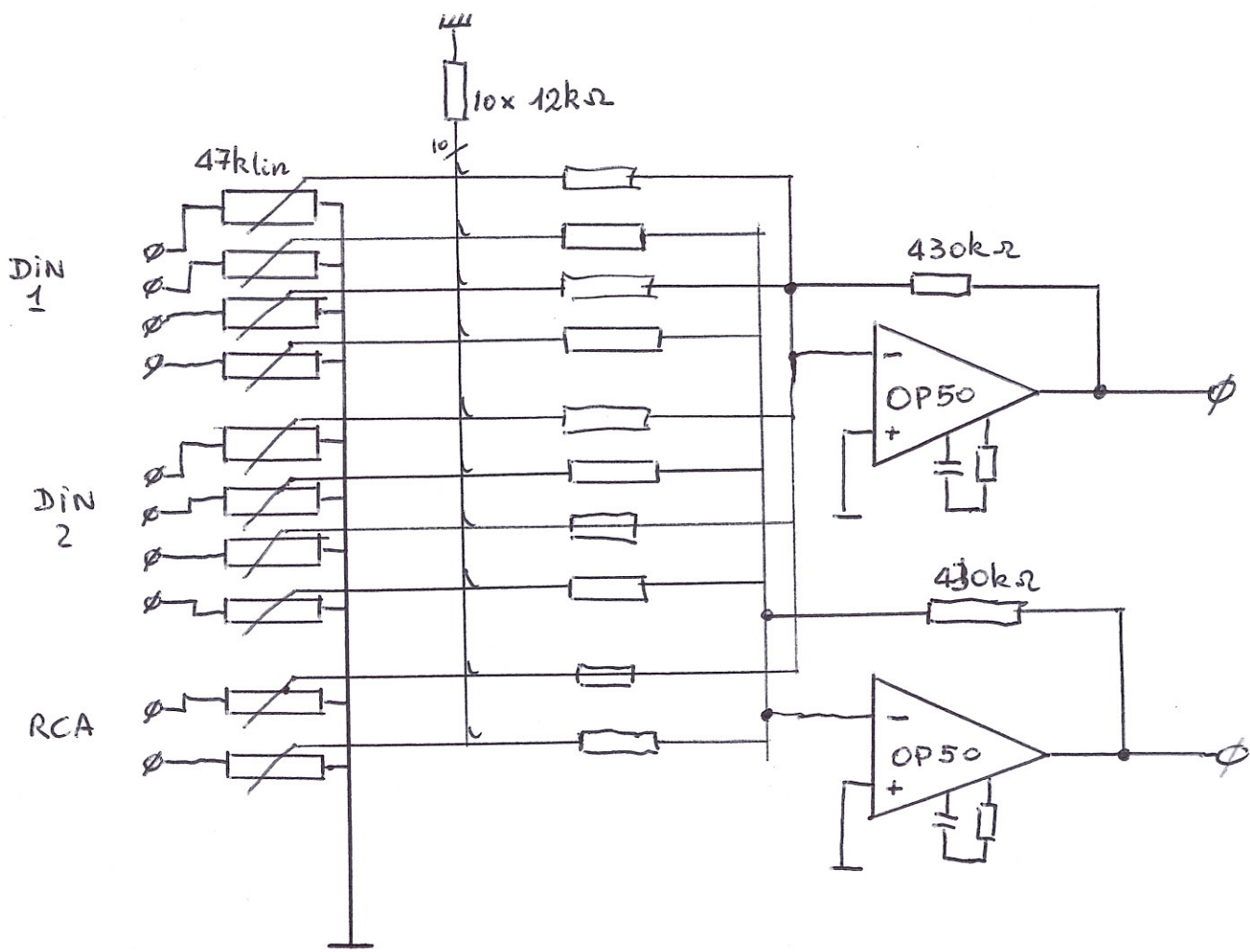


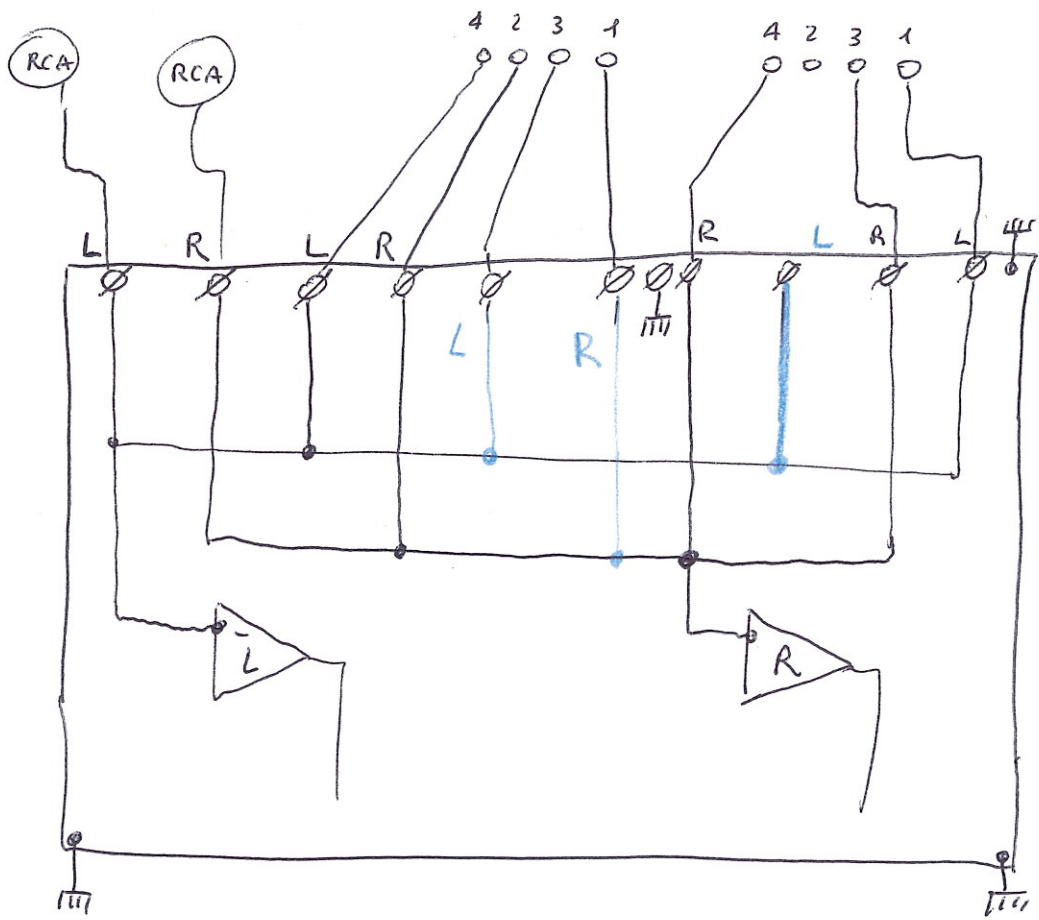
Hex-Mixer II

2 x 4 IN } STEREO OUT
1 x 2 IN }

[10 → 2]

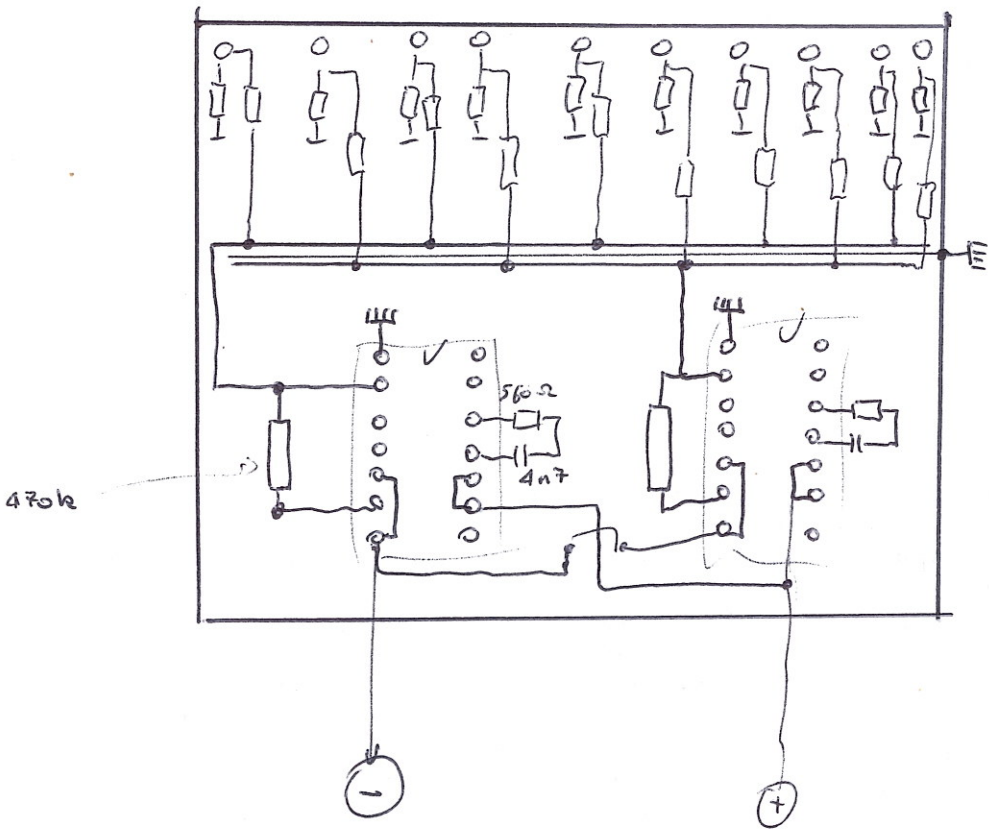
Housing: Willem II Copor box

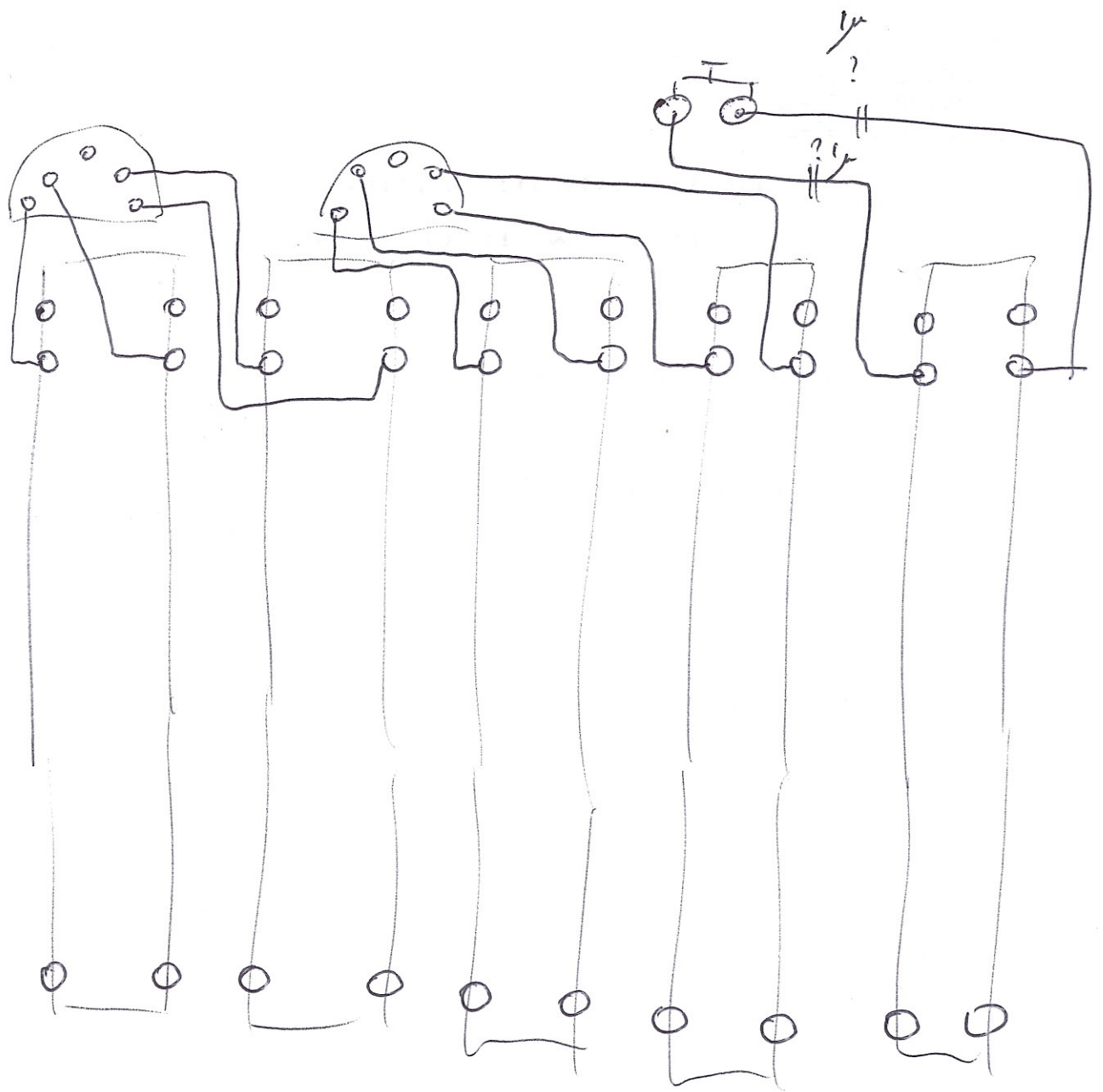


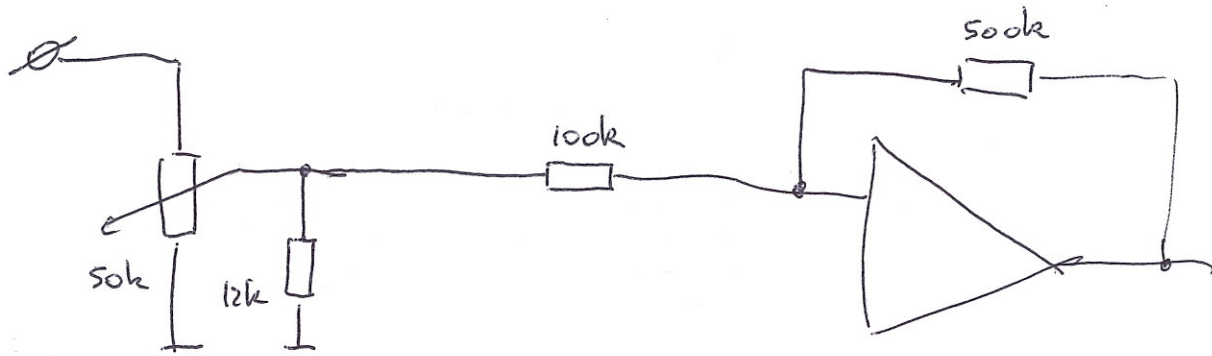


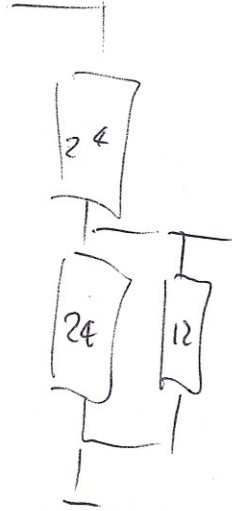
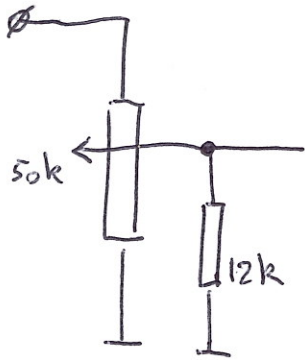
○ ○ ○ ○ ○ ○ ○ ○ ○ ○

5.





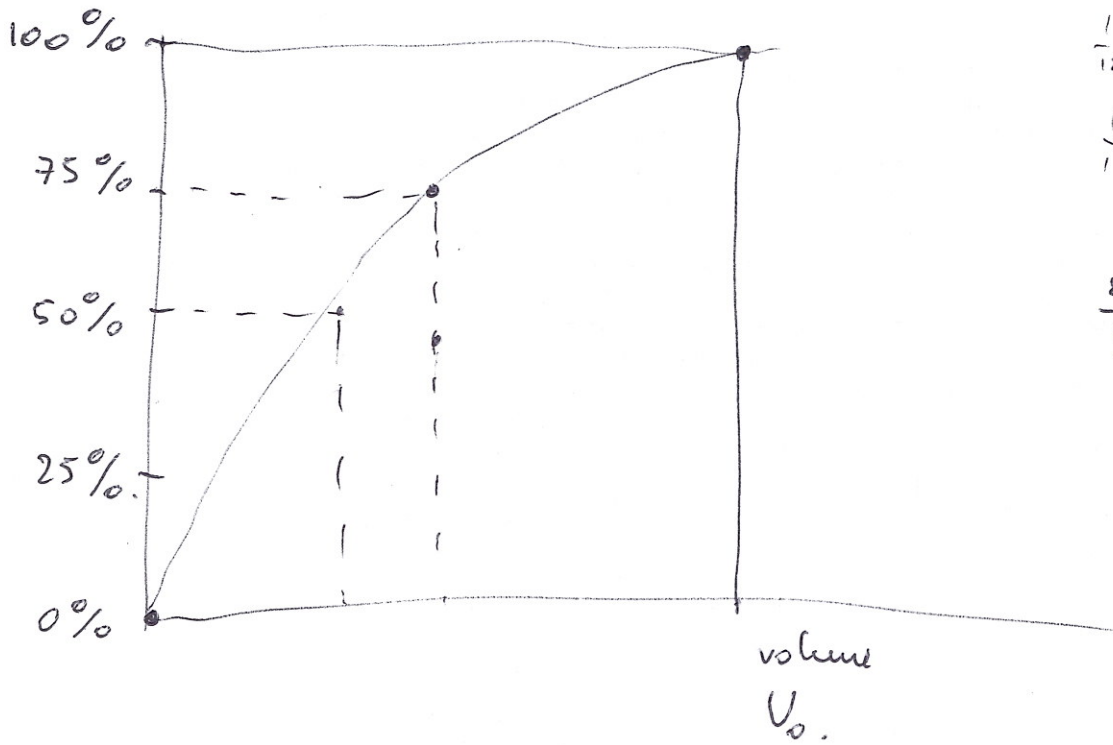




24kk.

= 9k.

been.



$$\frac{1}{12} + \frac{1}{24}$$

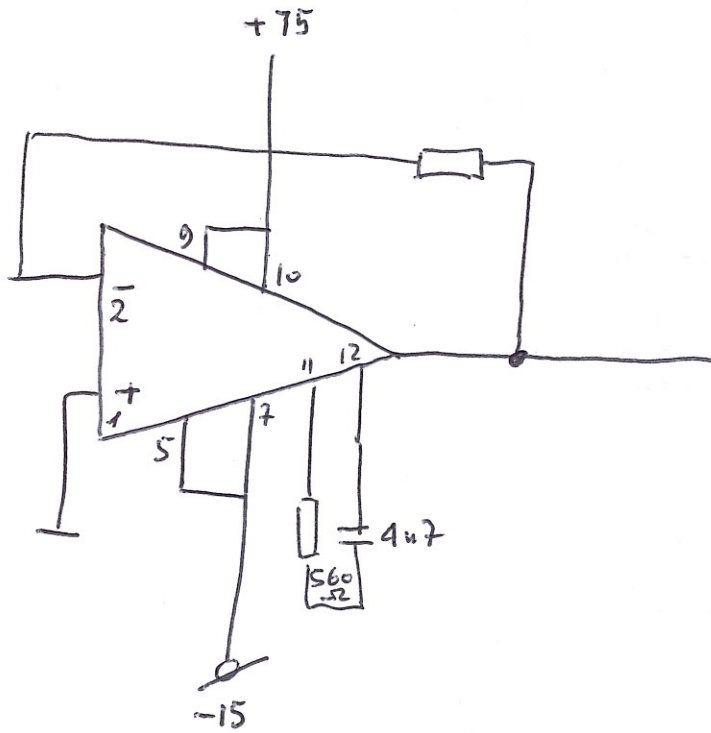
$$\frac{1}{9} = 1 + 0,5 \quad 1,5$$

$$\frac{24}{9} = \frac{100}{x}$$

$$24x = 900$$

$$x = \frac{900}{24} = 37\%$$

OP 50 - Mixer driver





25k

10k

3sk.

25k

40k

14E

47k+

