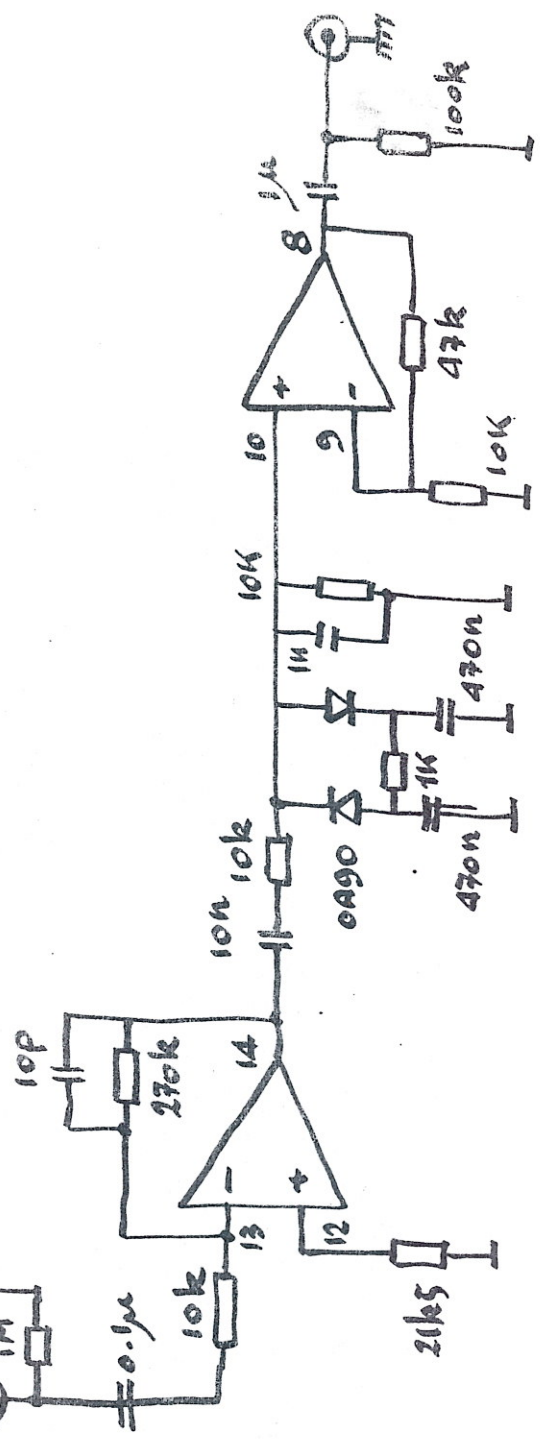
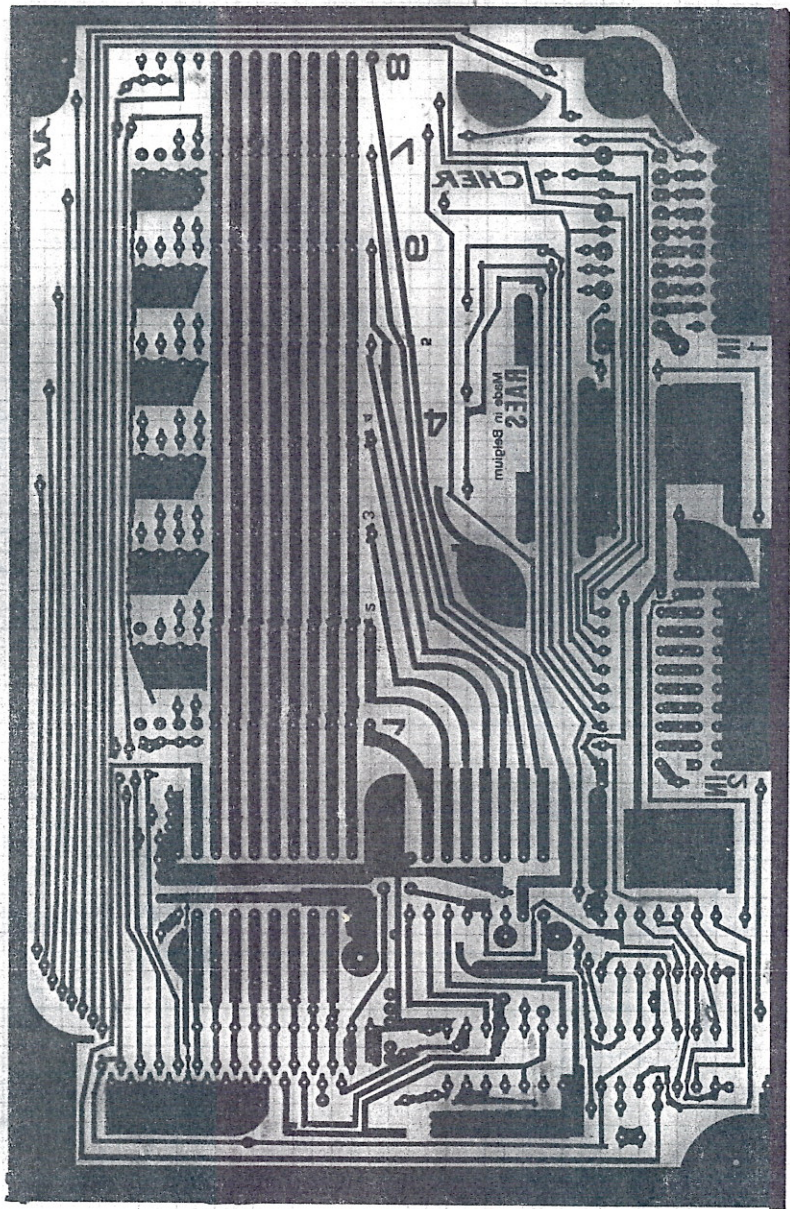


TL084  
TL074



power : ±15V - sym. Din-3p.  
 { pin 1 = +  
 pin 2 = 0V  
 pin 3 = -

housing : Croston type



CHER

UAE2  
Made in Belgium

0  
1  
2  
3  
4  
5

1  
2

1  
2